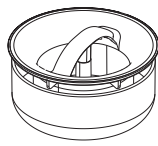
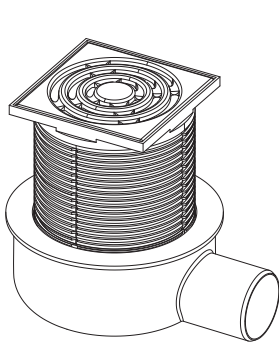
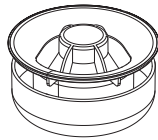


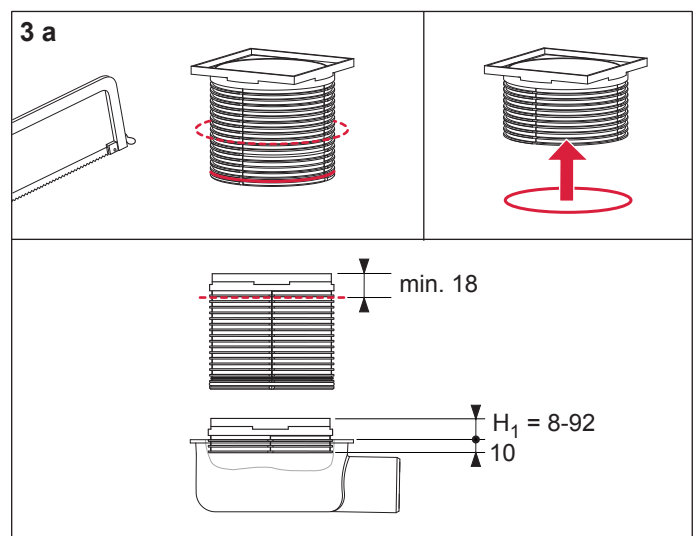
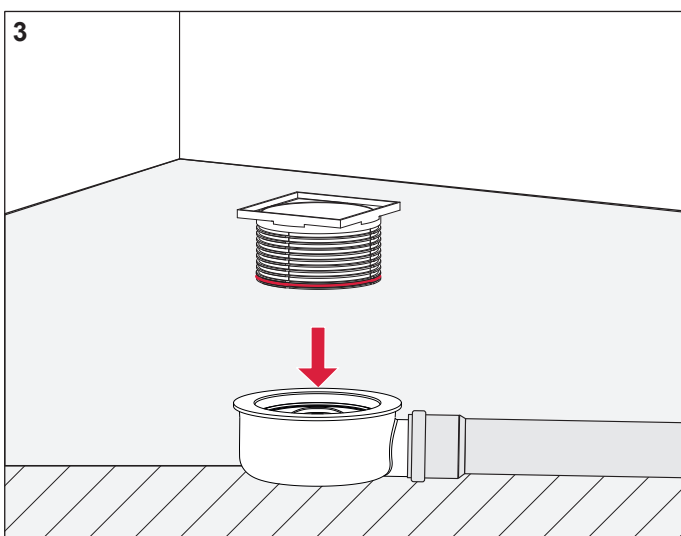
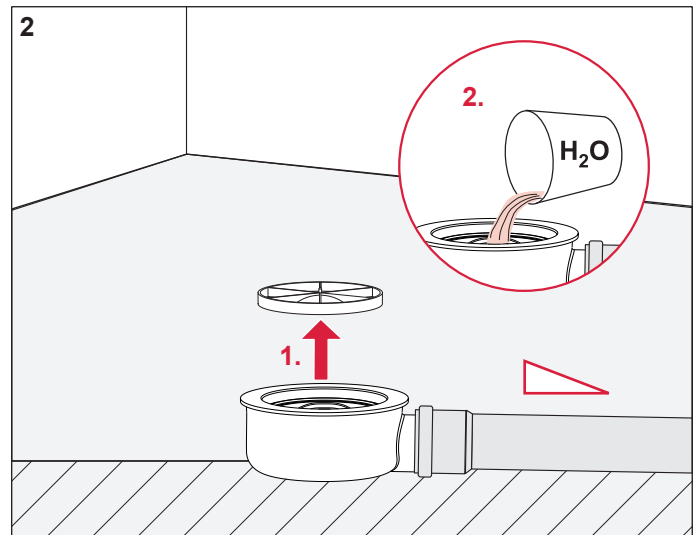
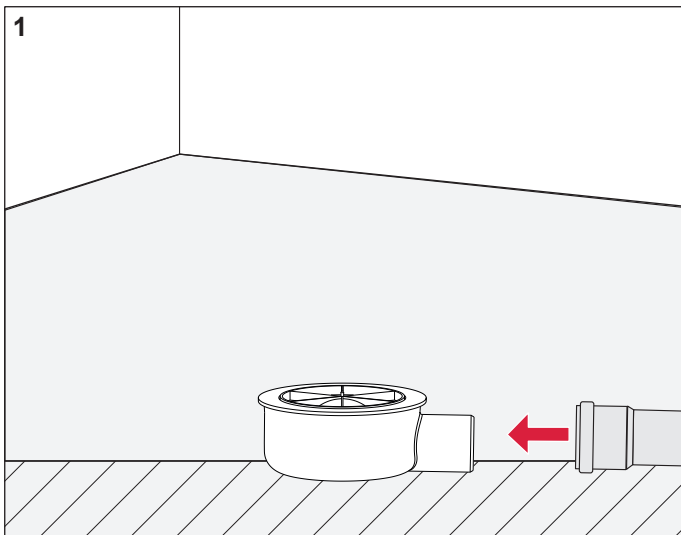
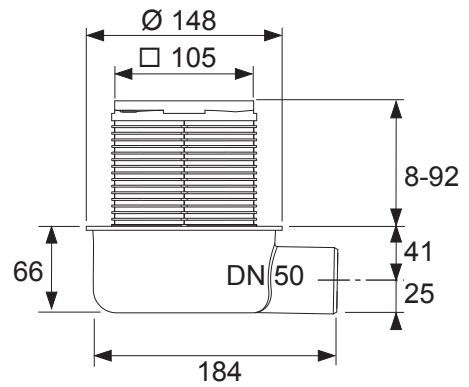
# TECEdrainpoint S – 360 10 50 / 360 10 51



360 10 50



360 10 51



# TECEdrainpoint S – 360 10 50 / 360 10 51

