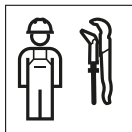
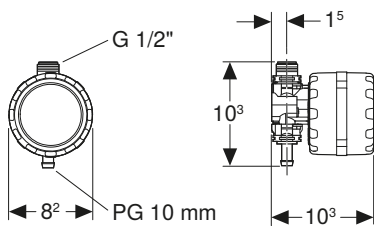


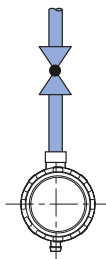
# INSTALLATION MANUAL

MONTAGEANLEITUNG  
INSTRUCTIONS DE MONTAGE  
ISTRUZIONI PER IL MONTAGGIO

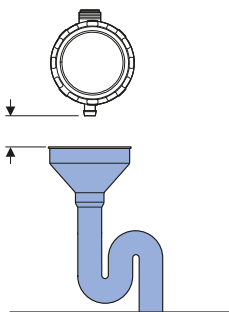
**KNOW  
HOW**  
INSTALLED

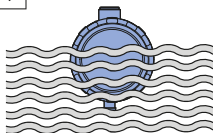






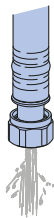
> 20 mm



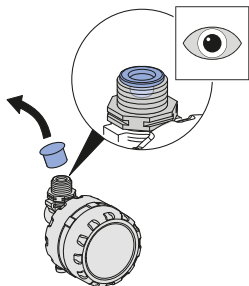




1

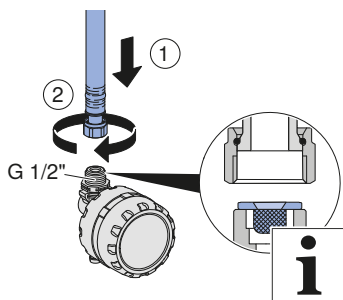


2



---

3



---

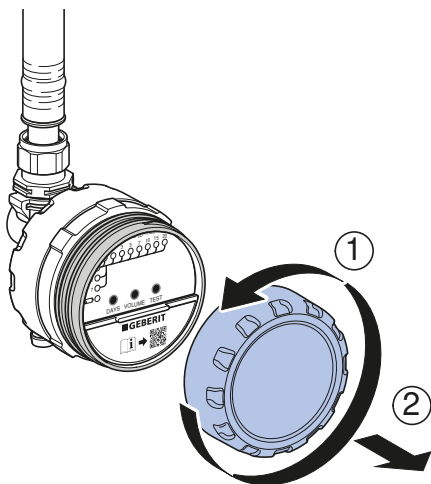
6

 **GEBERIT**

7695844619 © 01-2021  
970.121.00.0(00)

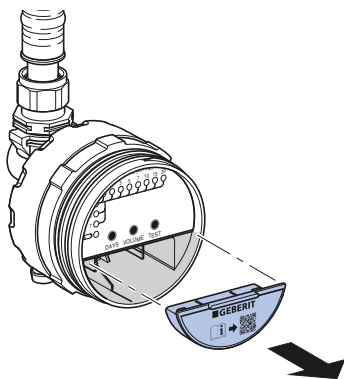


1



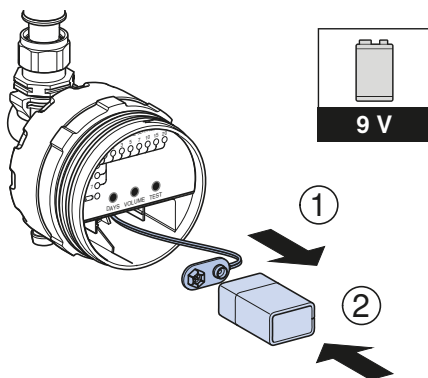
---

2



---

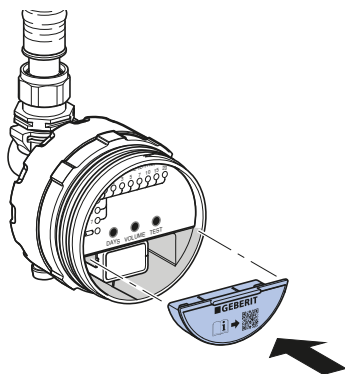
3





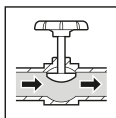
---

4

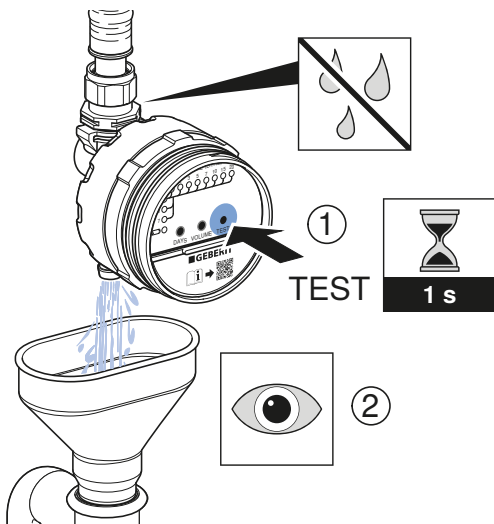


---

5

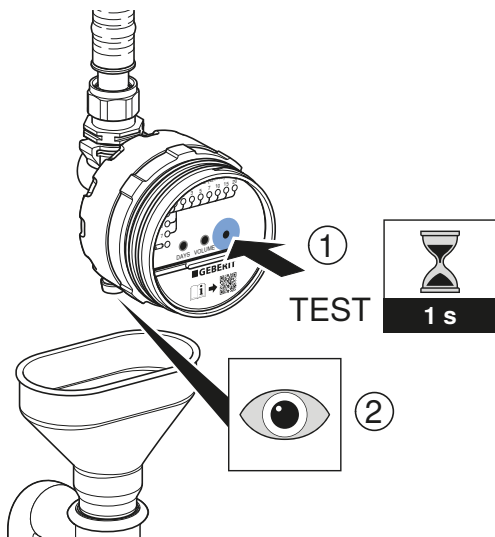


6



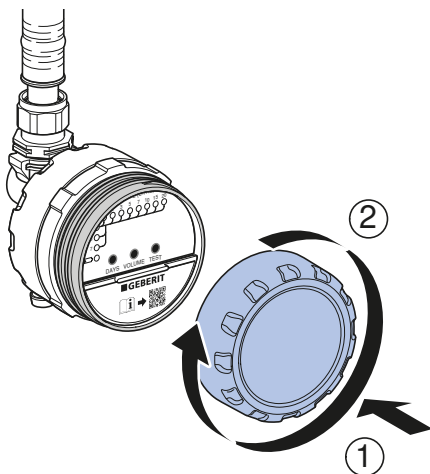
7





Operation Manual





Geberit International AG  
Schachenstrasse 77, CH-8645 Jona  
documentation@geberit.com  
www.geberit.com

