

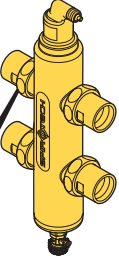




**Mounting and operating instruction**






For article no's starting with AX , except for AXS

18.637-02

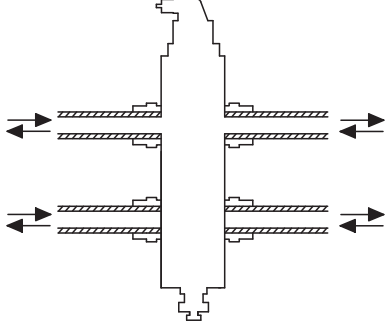





 0- ... bar  
 0- ... °C

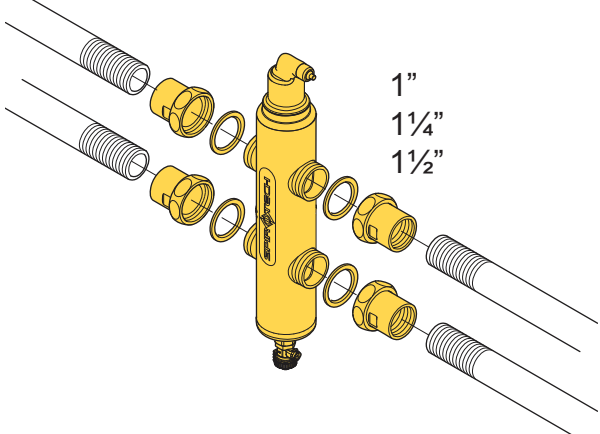
Acc.PED (97/23/EC) §3.3


< 50% glycol










1"  
 1¼"  
 1½"



 0 bar



 Pmax = 1,5 x ... bar

