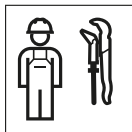
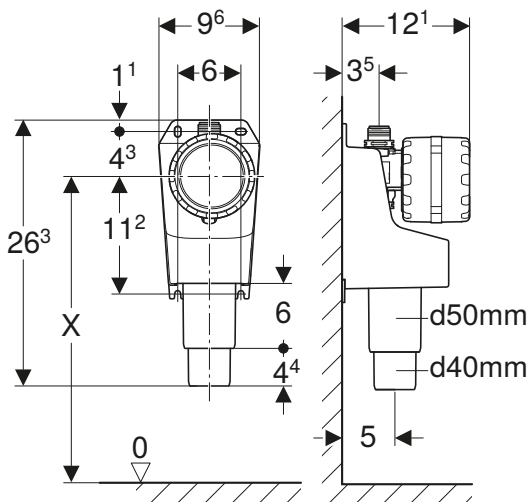


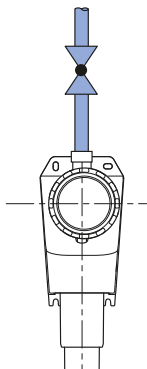
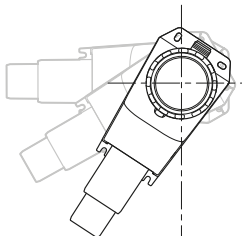
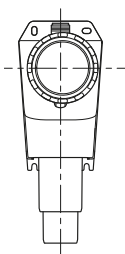
INSTALLATION MANUAL

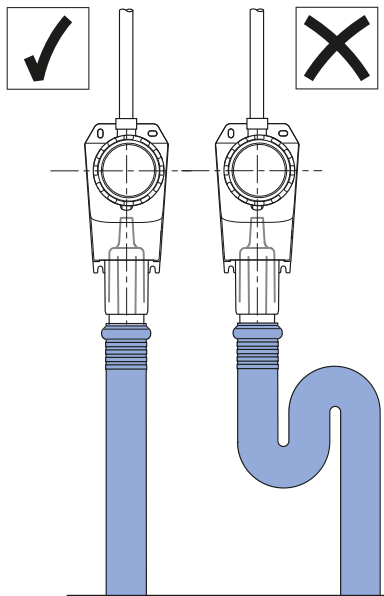
MONTAGEANLEITUNG
INSTRUCTIONS DE MONTAGE
ISTRUZIONI PER IL MONTAGGIO

**KNOW
HOW**
INSTALLED



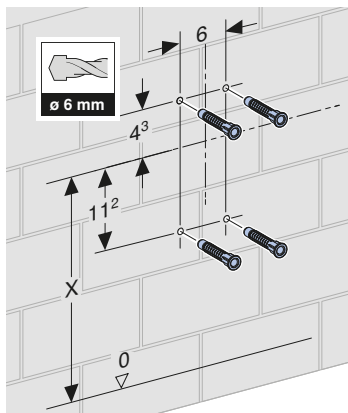




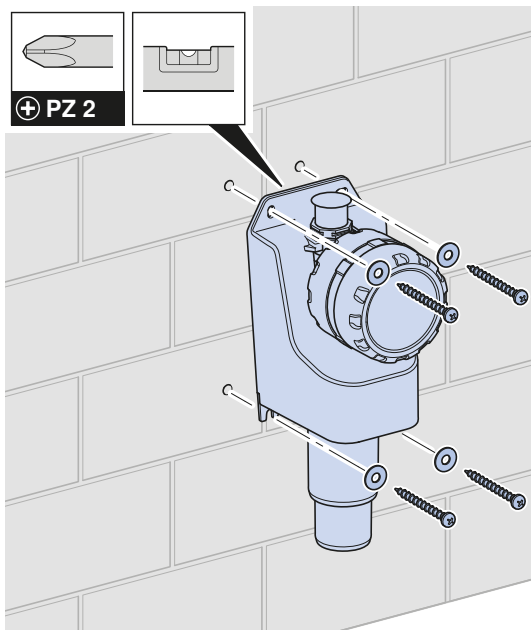




1



2

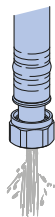


6

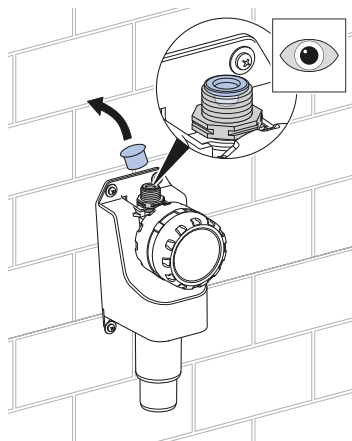
 **GEBERIT**

7687015179 © 01-2021
970.120.00.0(00)

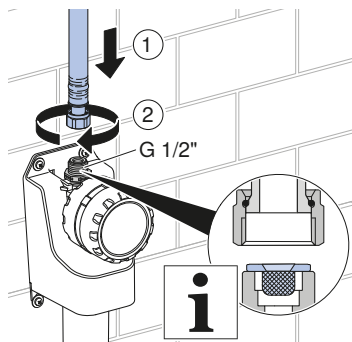
3



4



5

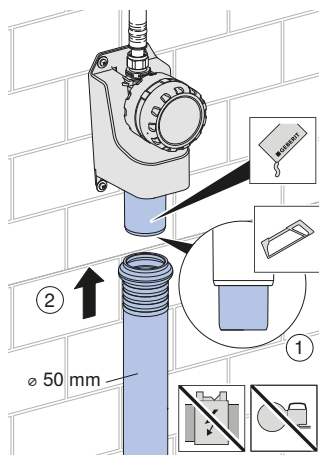
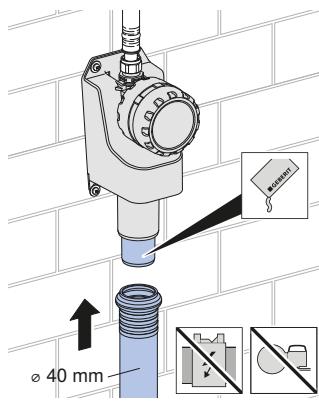


8

 **GEBERIT**

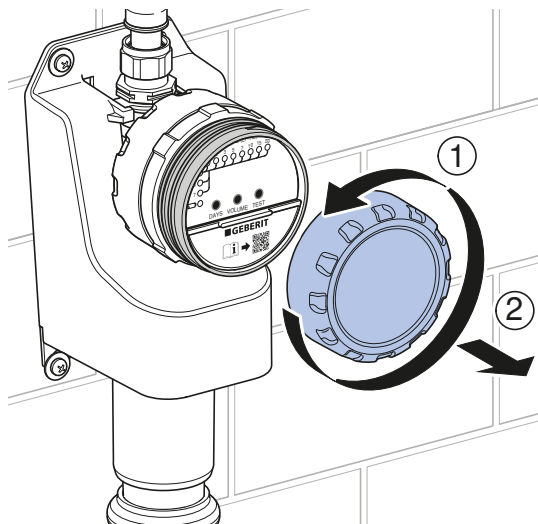
7687015179 © 01-2021
970.120.00.0(00)

6

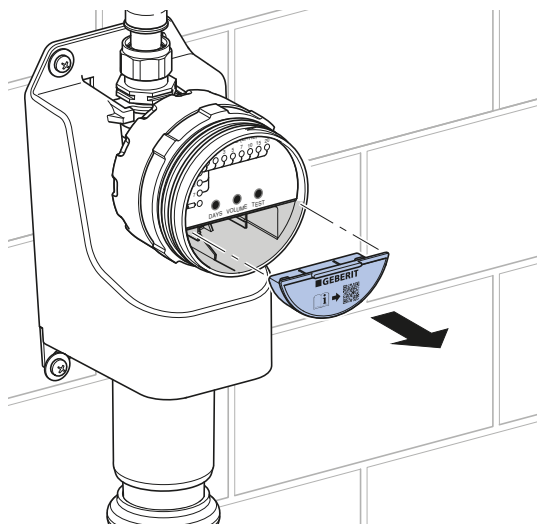




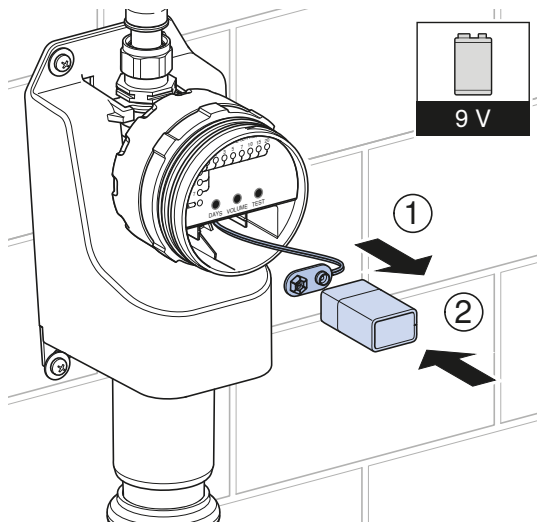
1



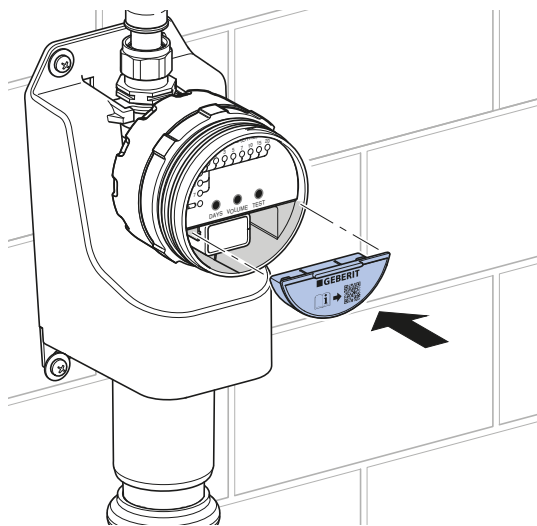
2



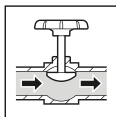
3



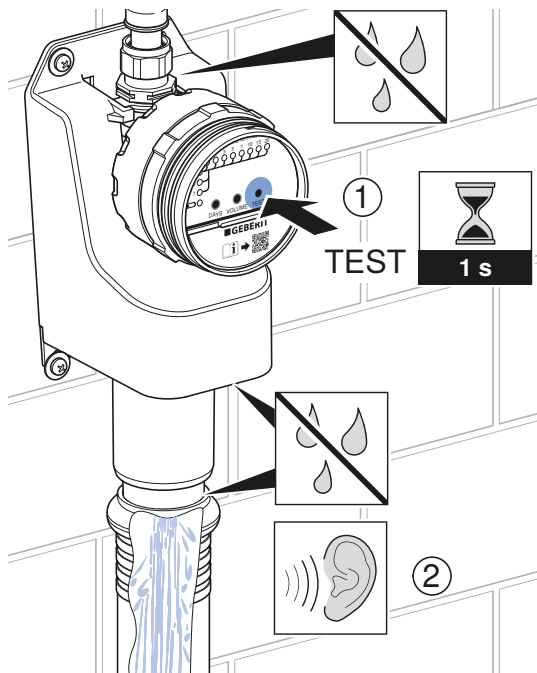
4



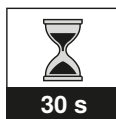
5



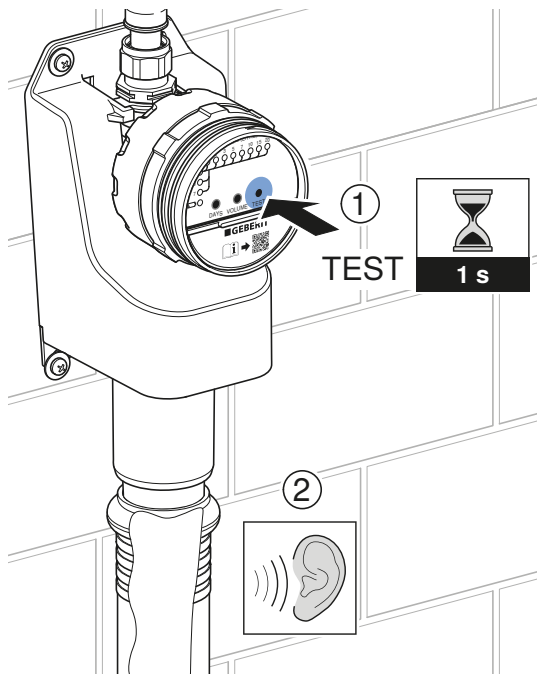
6



7



8

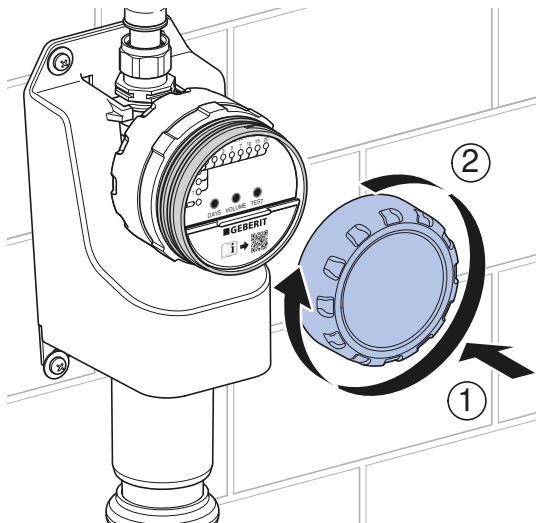




Operation Manual



9



Geberit International AG
Schachenstrasse 77, CH-8645 Jona
documentation@geberit.com
www.geberit.com

