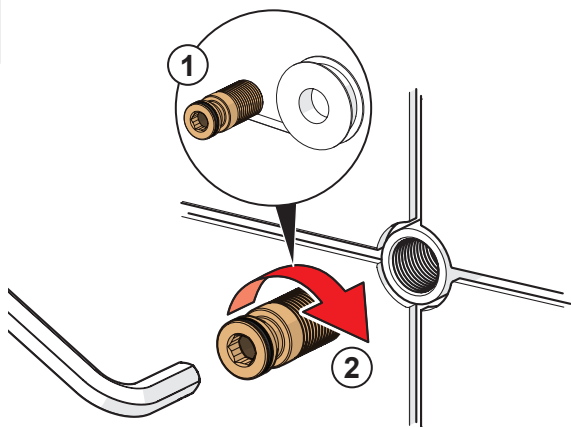
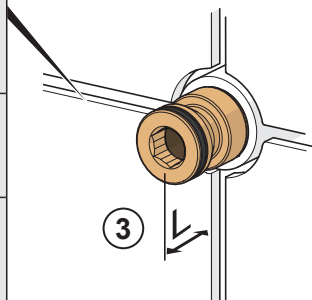


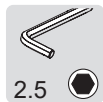
10

②



□ □ ○		L (mm)
		26-29
		26-29
		21-24
		16-19

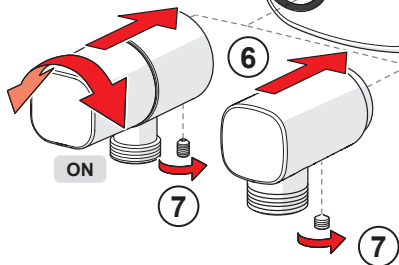
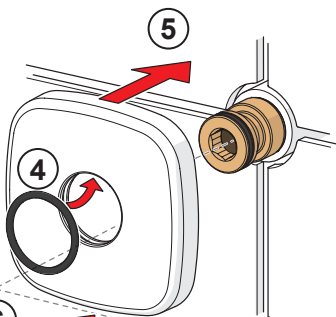




2.5

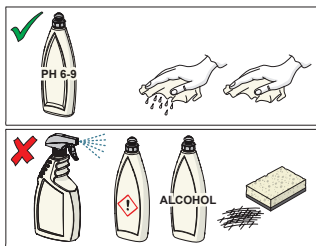


7



OFF

ON



ORAS Ltd.
Isometsäntie 2, P.O. Box 40
FI-26101 Rauma
Finland

Tel. +358 2 83 161
Fax +358 2 831 6300
info.finland@oras.com
www.oras.com

HANSA Armaturen GmbH
P. O. BOX 81 02 40
D-70519 Stuttgart
Sigmaringer Strasse 107
D-70567 Stuttgart
Tel.: +49 711 16 14 0
Fax: +49 711 16 14 368
info@hansa.de
www.hansa.com

orasgroup



943265-03-24