

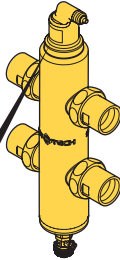




Mounting and operating instruction




For article no's starting with AX , except for AXS


18.637-00






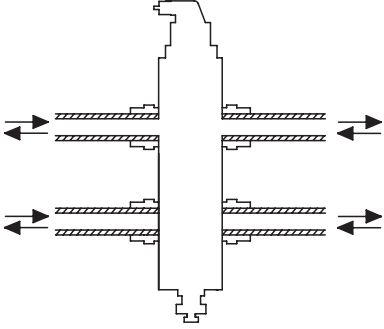
 0- ... bar
 0- ... °C


Acc.PED (97/23/EC) §3.3

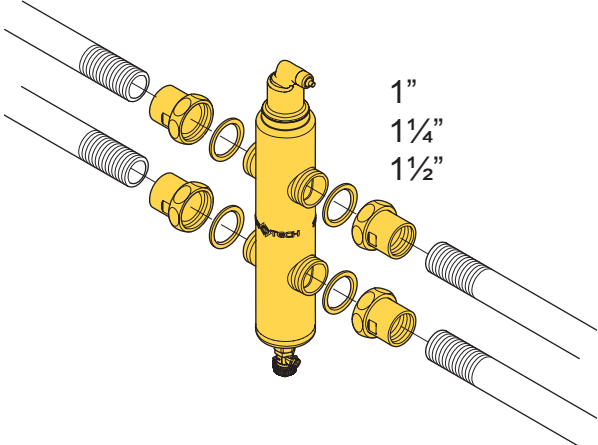









 < 50% glycol










 0 bar



$P_{max} = 1,5 \times \dots \text{bar}$

