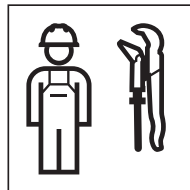


# INSTALLATION MANUAL

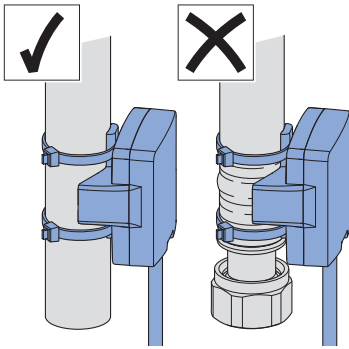
MONTAGEANLEITUNG  
INSTRUCTIONS DE MONTAGE  
ISTRUZIONI PER IL MONTAGGIO

**KNOW  
HOW  
INSTALLED**

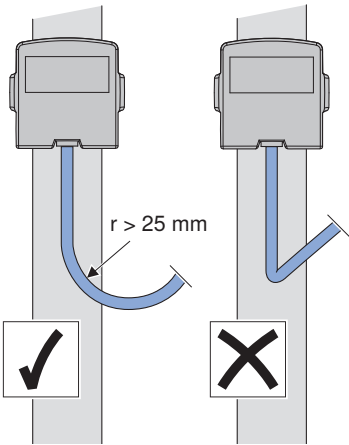




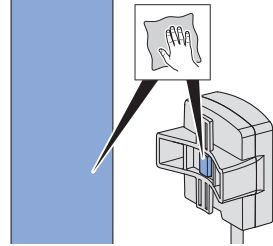
i



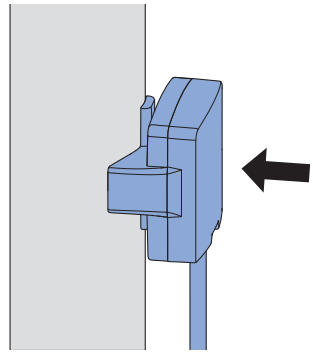
i



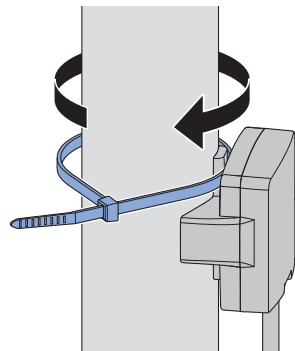
1



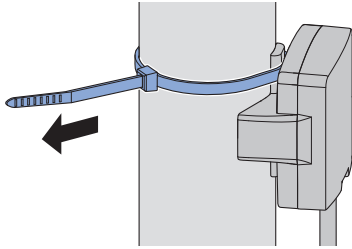
2



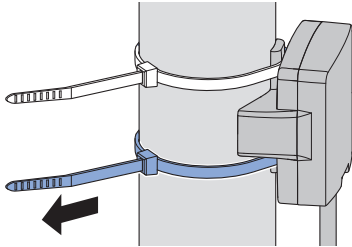
3



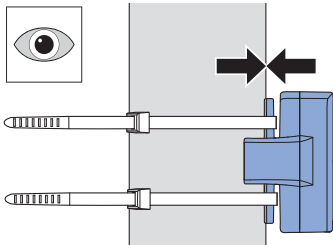
4



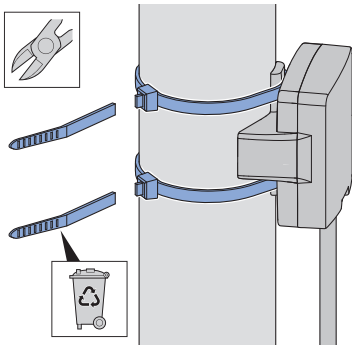
5



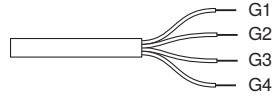
6



7



System Manual  
Geberit Connect



4 x 0.35 mm<sup>2</sup>

G1	VBUS (24 V DC)	weiss white blanc binaco
G2	GND	braun brown marron marrone
G3	RS485 A (D-)	grün green vert verde
G4	RS485 B (D+)	gelb yellow jaune giallo

---

**Geberit International AG**  
**Schachenstrasse 77, CH-8645 Jona**  
**documentation@geberit.com**  
**www.geberit.com**

